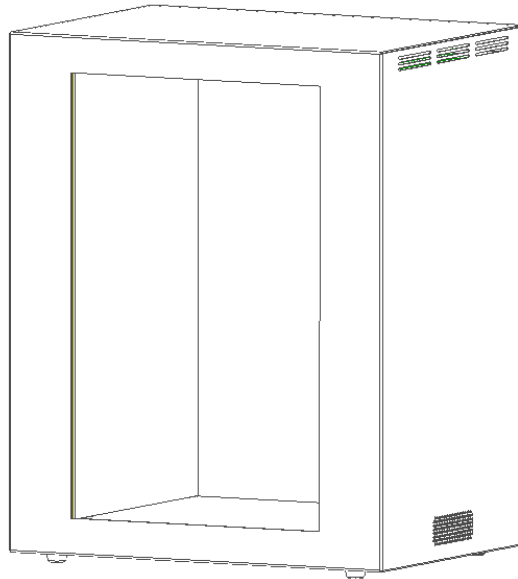




---

# Holografyx Showcase **User's Guide**

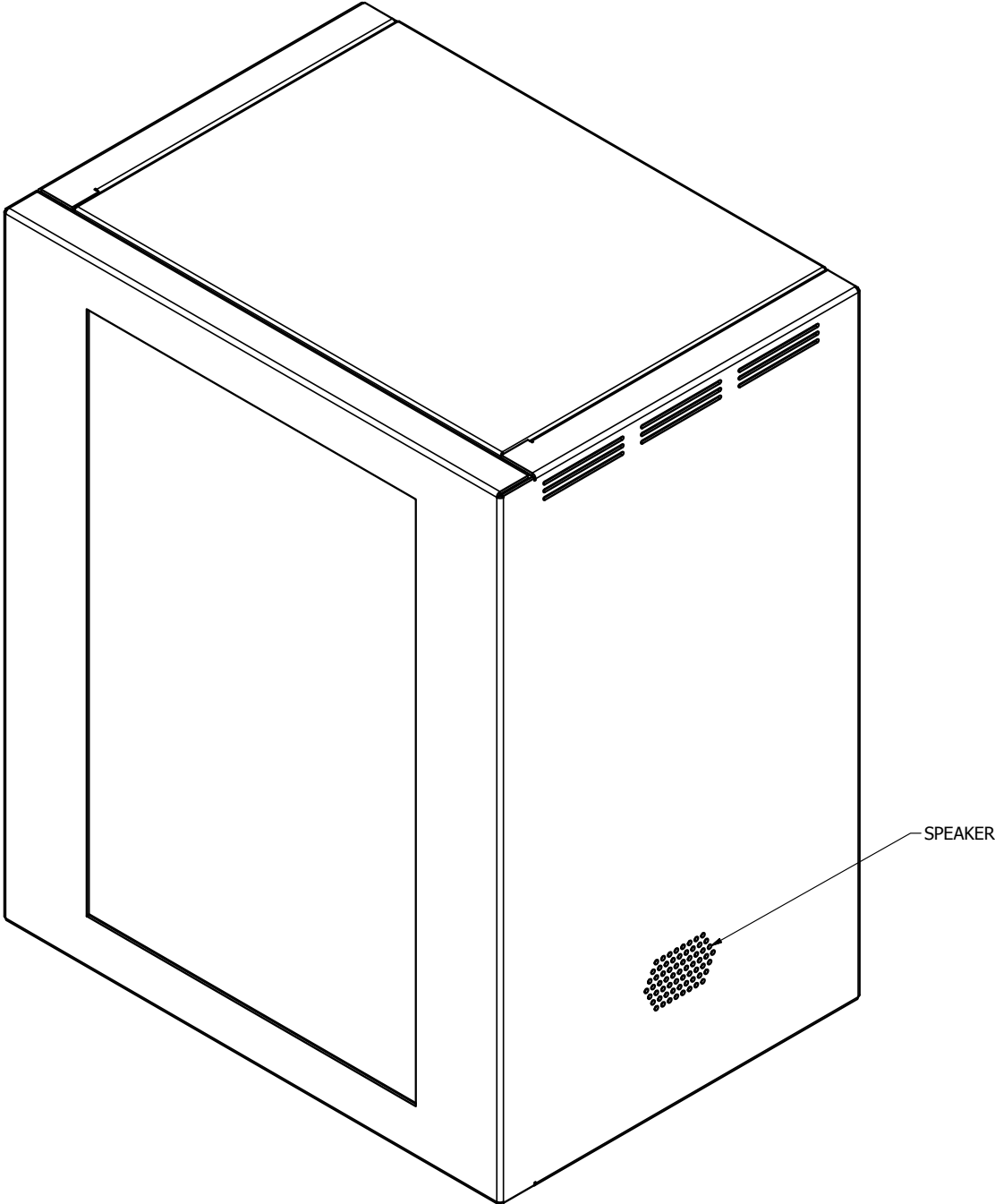


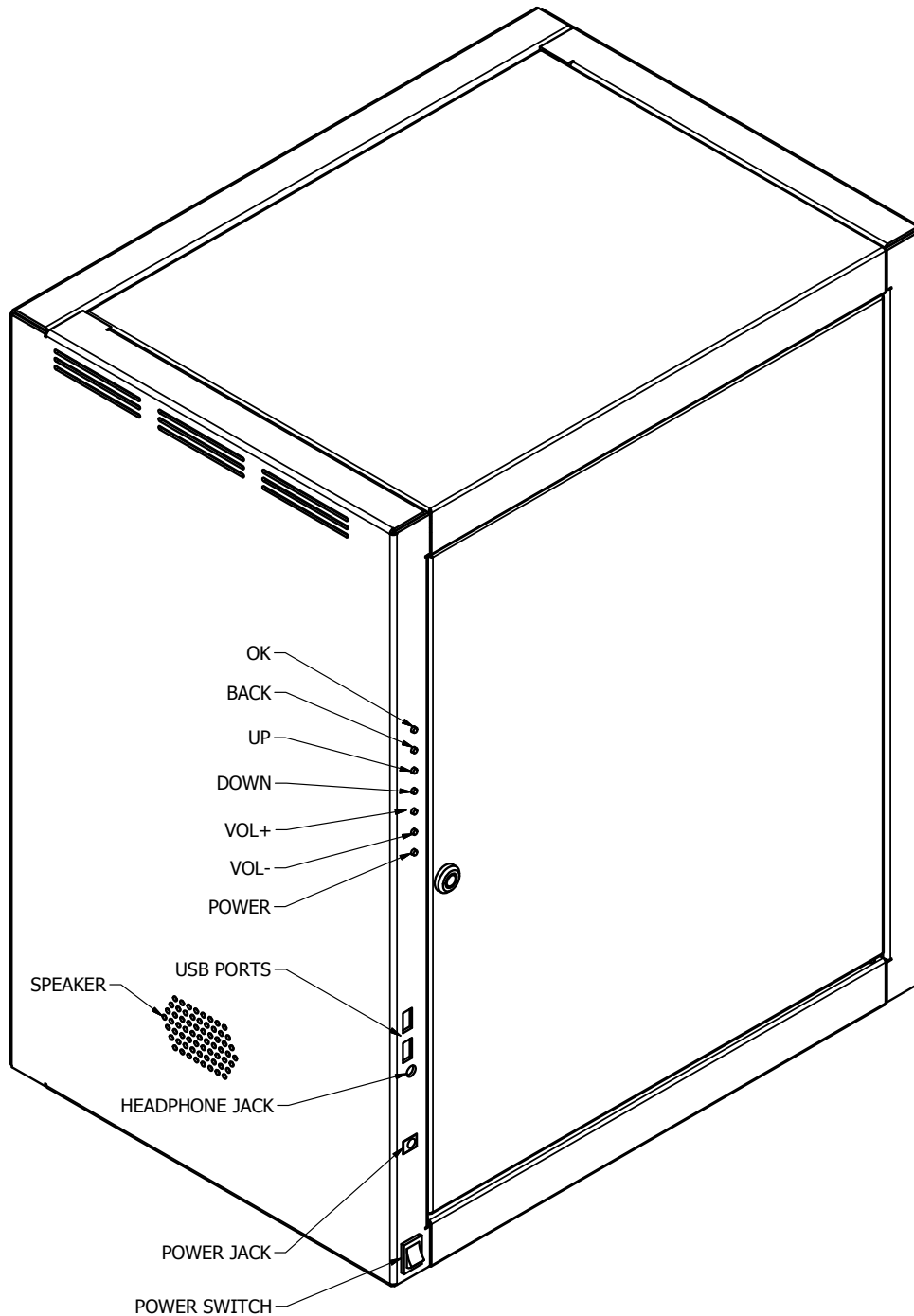
---

Model: Showcase 7022

## Contents

1. What's included in the box	5
2. To power on the Holografyx Showcase	5
3. To power off the Holografyx Showcase	5
4. To establish a Wi-Fi connection	5
5. To play a video, music, or picture file from a USB device	6
6. To load a video, music, or picture file into the system's internal memory	6
7. To play a video, music, or picture file from the internal memory	6
8. To adjust the volume during playback	7
9. To install an App	7
10. To uninstall an App	7
11. Updating the system's firmware	7
12. To access the internet using the web browser	8
12.1. Searching for information on the Internet	9
12.2. Refreshing a page	9
12.3. Opening a new tab	9
12.4. To open a new page on an existing tab	9
12.5. To change the home page	9
13. Maintenance and cleaning	9
14. 2.4GHz mini Wireless Keyboard	10
14.1. Touch pad	10
14.2. Connecting to the receiver	10
14.3. Auto sleep function	10
14.4. Switch the Keyboard off after use	10
14.5. Charging the Battery	11
14.6. RF Matching	11
14.7. Keyboard Maintenance	11
15. Technical Information	12
16. Troubleshooting	13
17. Supported Video File Formats	14
18. Limited Equipment Warranty	15
18.1. Overview of warranty	15
18.2. Warranty exclusions	15
18.3. Return for repair or advanced replacement	15





The Holografyx Showcase is a visually stunning marketing tool that will help captivate your customers and increase sales.

The Holografyx Showcase allows your products to speak for themselves by displaying key marketing information such as product specifications, pricing, and options on a transparent display in front of the product.

First, it is necessary to develop a marketing campaign for the product that will be displayed within the showcase and save it as one of the many supported video file formats.

To do this you may want to employ the help of a marketing agency or graphic designer to create an effective marketing video. Please refer to the supported video file format section of this manual for optimal resolution and aspect ratio.

## 1. What's included in the box

- 2.4GHz mini Wireless Keyboard with charging cable, USB receiver, and lithium-ion battery.
- Two cabinet lock keys.
- External AC/DC power supply.
- Operating manual.

## 2. To power on the Holografyx Showcase

- a) With the power switch in the *OFF* position, plug the power adapter into the power jack on the backside of the unit and then plug the other end into an electrical outlet in the room.
- b) Flip the power switch to the *ON* position.
- c) Press and release the power button located on the backside of the cabinet and wait for the system to initialize.

## 3. To power off the Holografyx Showcase

- a) Press and release the power button located on the backside of the cabinet
- b) Move the power switch to the *OFF* position.

## 4. To establish a Wi-Fi connection

- a) From the Home screen, navigate to and select Settings, and then select Network Settings.
- b) A window will appear, navigate to and select Wireless Settings.
- c) Turn on the wireless antennae by clicking the ON/OFF button until ON is highlighted.
- d) Click the SCAN button, the Showcase will begin scanning for available wireless access points.
- e) Once the scan is complete a list of available access points will be displayed, select the one to connect to.
- f) Once selected, a window will appear allowing you to enter the password, enter in the password and click CONNECT.
- g) A message saying "Wi-Fi Connected" will appear at the bottom right corner of the screen when the Wi-Fi connection has been established.
- h) Select *Modify Password* and enter the password in the space provided, either using the wireless keyboard on the onscreen keyboard and then select *Connect*.

## 5. To play a video, music, or picture file from a USB device

- a) Insert a USB device containing either a video, music, or picture file into one of the available USB ports located on the backside of the cabinet. Note: This can be done when the Showcase is powered ON or OFF.
- b) From the HOME screen, navigate to and select either the VIDEOS, MUSIC, or PICTURES app depending on the file type you wish to display by using the mouse pad on the wireless keyboard and pressing and releasing the Left Click button.
- c) Within the respective app menu, select EXTERNAL MEMORY which is located at the top of the screen.
- e) Navigate to the file to be displayed by either using the mouse pad on the wireless keyboard and pressing and releasing the Left Click button once the cursor is over the filename or by using the UP/DOWN keys on the backside of the cabinet until the filename is highlighted and pressing the OK button on the backside of the cabinet.

## 6. To load a video, music, or picture file into the system's internal memory

- a) Insert the USB device containing a video, music, or picture file into one of the available USB ports located on the backside of the cabinet.
- b) From the Home screen select FILEBROWSER.
- c) Select USB and then select SDA1.
- d) Navigate to and select the Select/Open Mode icon by pressing and releasing the Left Click on the wireless keyboard or the OK button on the back of the cabinet. This will highlight the icon.
- e) Select the file to be transferred to the internal memory. A check mark should be visible next to the name of the file.
- f) Navigate to and select the Show Edit Dialog icon by pressing and releasing the Left Click on the wireless keyboard or the OK button on the back of the cabinet. It will open a new menu displaying a list of options to perform on the selected file.
- g) Select Copy.
- h) A message will appear at the bottom of the screen, File Copy, select Path and Paste.
- i) Press and release the ESC button on the wireless keyboard or the Back button on the backside of the cabinet twice, which will bring up two folder paths, INTERNAL MEMORY and USB.
- j) Select Internal Memory by pressing and releasing the Left Click button on the wireless keyboard or the OK button located on the backside of the cabinet.
- k) Navigate to the Movies, Music, or Pictures folder depending on the file type you are transferring and press and release the Left Click button on the wireless keyboard or the OK button located on the backside of the cabinet.
- l) Navigate to and select the Show Edit Dialog icon by pressing and releasing the Left Click on the wireless keyboard or the OK button on the back of the cabinet. It will open a new menu displaying a list of options to perform on the selected file.
- m) Select *Paste*.

## 7. To play a video, music, or picture file from the internal memory

- a) From the HOME screen, navigate to and select either the VIDEOS, MUSIC, or PICTURES app depending on the file type you wish to display by using the mouse pad on the wireless keyboard and pressing and

releasing the Left Click button.

- b) Within the respective App menu, navigate to and select INTERNAL MEMORY
- c) Navigate to the file to be displayed and press and release the Left Click on the wireless keyboard or the OK button on the backside of the cabinet.

## 8. To adjust the volume during playback

To adjust the volume during video playback, use the volume control keys located on either the wireless keyboard or on the backside of the cabinet.

## 9. To install an App

- a) First go to a website such as APPS APK ([www.appsapk.com](http://www.appsapk.com)) and download the .apk installation file for the chosen app.
- b) Transfer the chosen file to a USB device and insert the USB device into an available USB port located on the backside of the Showcase.
- c) From the Home screen navigate to and select FileBrowser.
- d) Select USB and then select SDA1.
- e) Locate and select the installation file.
- f) A menu will appear requesting confirmation to install the app, select Install.
- g) A progress page will appear which will then indicate whether or not the app was install successfully.
- h) Select either Done or Open.

## 10. To uninstall an App

Note: Only user installed apps can be uninstalled, all apps that come preinstalled on the Showcase are embedded into the systems firmware and cannot be uninstalled.


- a) From the Home screen navigate to and select APPLICATIONS.
- b) Locate and select the app to be uninstalled.
- c) A menu will appear with a list of options to perform on the selected app, select UNINSTALL.
- d) A window will appear requesting confirmation to uninstall the app.
- e) Select OK.
- f) A progress bar will be displayed after which an UNINSTALL COMPLETE notification will appear.



## 11. Updating the system's firmware

To update the Showcase's firmware you must first download the update from the Holografyx website by going to the following URL: [http://holografyx.ca/holografyx\\_showcase/](http://holografyx.ca/holografyx_showcase/), navigating to the section called Resources at the bottom of the page and clicking on the Download button in the Software Update row, which will begin downloading the update to your computer.



- a) Once downloaded, transfer the .APK file to a USB drive, and Insert the USB drive into an available USB port on the backside of the cabinet.
- b) From the HOME screen, navigate to and select the APPS > SETTINGS > APPLICATION MANAGE.
- c) Ensure the button beside ALLOWED TO INSTALL THE APPSTORE APPLICATIONS is switched to ON
- d) Navigate back to the HOME screen and select FILE BROWSER > USB > SDA1
- e) Double left click Holografyx\_Launcher.apk and click INSTALL, you should see Application Installed when finished. Click DONE.
- f) Remove the USB from the backside of the cabinet and restart the Showcase by pressing the power button, waiting for it to turn off and then after about 10 seconds press the power button again.
- g) Now a popup window will appear titled "Complete action using" > Select HOLOGRAFYX LAUNCHER
- h) You should now be looking at the new desktop home screen in landscape orientation.
- i) If you prefer to use the Showcase in portrait orientation, navigate to and select the Rotation app > Set Portrait > and the screen should rotate into the portrait orientation.
- j) To set this as the default orientation, select the AUTO START UP option and ensure the check mark is displayed in the box.
- k) Press ESC to go back to the HOME screen.

## 12. Searching for information on the Internet



- a) By selecting the search box an onscreen keyboard will appear at the lower portion of the screen.
- b) Enter your search keywords by either using the character keys on the wireless keyboard or by moving the cursor to the individual letters on the onscreen keyboard and pressing and releasing the *Left Click* button while hovering over the appropriate character.
- c) Once finished, press  on the keyboard which will bring up a list of search results.

Note that clicking on the  or  icons in the upper portion of the browser window will cause the browser to go to either the previous or next page.

### 12.1 Refreshing a page

- a) To refresh a page, select the tab to be refreshed and click on the  icon.
- b) To stop refreshing a page, click on the  icon.



### 12.2 Opening a new tab

- a) To open a new tab, click on the  icon on the right side of the existing tab and an additional tab will appear.
- b) To close a tab, click on the  icon on the right side of the existing tab.
- c) If you close the last tab, the web browser will be also closed.


Note that a total of 6 tabs can be open at the same time.



### 12.3 To open a new page on an existing tab

- a) Click on the address bar next to the  icon and enter a new URL.
- b) When finished, press  on the keyboard.

### 12.4 To change the home page

- a) Click the  icon followed by *Settings* once the menu appears.
- b) Click *General* followed by *Set homepage*, then click *Other* and change the home page.
  - Enter a new URL if you want to change the home page.
  - Select *Current page* if you want to use the current page as the home page.
  - Select *Default page* if you want to use the default page as the home page.
- c) Click *OK*.

## 13. Maintenance and cleaning

Before cleaning be sure to turn off the power and unplug the power cord before you begin. Do not attempt to disassemble the device. Doing so will invalidate the warranty.

### Cleaning the Screen

- Wet a soft lint-free cloth in an equal part mixture of warm water and vinegar. Wring the cloth until it's almost dry, and then gently wipe the screen. Avoid applying excessive pressure to the screen. Commercial LCD cleaning solutions can also be purchased from your local retailer.
- Remove any excess moisture from the screen with a dry cloth and then let it air-dry before you power on your Showcase.
- Do not use cleaning solutions that contain ammonia, ethyl alcohol, acetone or ethyl chloride. These chemicals can damage the screen.

### Cleaning the Cabinet

- To remove dirt or dust, wipe the cabinet with a soft, dry, lint-free cloth.

### Extended Absence

- If you expect to leave the Showcase off for an extended period of time, it is a good idea to turn off the power and unplug the power cord to protect the Showcase from possible damage from electrical power surges.

## 14. 2.4GHz Mini Wireless Keyboard

### Safety Notice

- Please refer to the safety precautions covered in this manual to prevent personal injury or damage to the device.
- The wireless keyboard contains a lithium-ion battery. All safety considerations should be taken into consideration when handling or operating a device with this type of battery.
- Do not drop, crush, heat, or submerge in water.
- Do not operate in environments with extreme humidity or temperatures.
- Please turn off this device when around fuel or combustible agents or chemicals.
- Turn off this device in hospitals, failure to do so may cause interference with medical equipment or communication devices. As with all wireless devices, this product may interfere with implanted cardiac pacemakers, hearing aids and other medical implants.
- Do not attempt to disassemble the device or replace the rechargeable battery. Doing so will invalidate the warranty.



This product should not be disposed of with household waste.  
Please recycle where facilities exist.



Check with your local authority for recycling advice.

### 14.1 Touch pad

The wireless keyboard features a notebook style touchpad with the functionality of a mouse wheel. To scroll up or down simply press the 'Fn' button and slide your finger on the touchpad in the desired direction in the selected area. As with a standard mouse wheel, this function enables the user to browse web pages and documents much easier.

### 14.2 Connecting to the receiver

Remove the USB receiver located in the battery compartment on the rear of the keyboard and insert it into an available USB port on the backside of the Showcase. Once the receiver is inserted, turn the keyboard on by sliding the power switch to the *ON* position. The device will then establish a connection to the receiver.

### 14.3 Auto sleep function

The wireless keyboard also features an auto sleep function, if inactive for approx. 2 minutes, it will go into sleep mode. To wake the wireless keyboard, simply press any key or tap the touchpad. The keyboard's RF indicator will continue to flash during sleep mode.

### 14.4 Switch the Keyboard off after use

When you have finished using the wireless keyboard, switch the device off by moving the power switch

to the *OFF* position. The USB receiver can be unplugged from your device and stored safely back in the battery compartment to prevent loss of the receiver.

## 14.5 Charging the Battery

This device contains a built-in lithium lithium-Ion battery. Please use the USB-A to Mini-B cable provided to charge the device. Connect the USB-A connector to a computer console, and the Mini-B connector to the USB charge port (as Illustrated) In order to charge the device. When the charge is low on the battery, the low-voltage light will flash. The unit will automatically turn off when the battery charge is depleted.

Note: Please charge the unit fully prior to initial use. This device can be used whilst charging, but this will extend the charge time.

## 14.6 RF Matching

The device has been pre-coded at the factory to match the keyboard to the receiver. This ensures that two or more of the same device do not interfere with each other on the same wireless spectrum. In the event this device is conflicting with another wireless device, you can change the channel by pressing the 'Fn' key and 'F1' key for approx. 10 seconds. The RF signal LED will resume a slow flash confirming the change was successful.

## 14.7 Keyboard Maintenance

- Do not attempt to disassemble the device or replace the rechargeable battery. Doing so will invalidate the warranty.
- The battery will discharge if stored without use for a long period of time.
- Use only the supplied charging cables, failure to do so, may cause damage to the unit.
- Disconnect the device after the battery has been fully charged. Overcharging may shorten the battery life span.
- To clean the device, use a damp cloth with mild soap. Solvents and other cleaning agents may damage the unit.

## 15. Technical Information

### Specifications:

#### Wireless Keyboard

Dimensions (L x W x H):	146.8mm x 97.5mm x 19mm
Weight:	110g
Operational Range:	up to 10m (30')
Transmit power:	+5db max.
Operating Voltage:	3.3V
Operating Current:	< 50mA
Charge Current:	< 350mA
Sleep Current:	<1mA

#### Holografyx Showcase

Dimensions (L x W x H):	450mm x 332mm x 564mm
Weight:	16.1 Kg
Operating Voltage:	100 - 240V AC @ 50/60Hz
Operating Current:	0.75A @ 120V
Operating Power:	55W @ 120V
Screen Resolution:	1680 x 1050
Aspect Ratio:	16:10
Screen Type:	Open-cell TFT LCD
Active Display Area:	473.8mm (H) x 296.1mm (V)
Storage Temperature:	5 – 40 °C
Storage Humidity:	35-75 %rH
Operating Temperature:	0 – 50 °C

## 16. Troubleshooting

Below are some troubleshooting scenarios for the device. For further help please contact the place of purchase.

Problem	Possible Issue	Solution
Wireless keyboard will not respond.	Low battery. Unit is not switched on.	Charge the device for approx. 15 minutes. Check that the switch is in the <i>ON</i> position.
Wireless keyboard cannot establish a connection with the receiver.	The receiver may not be inserted correctly. There is RF interference from another device or the device may not be within operating range.	Disconnect the receiver and reinsert into the USB port. Move the keyboard closer to the receiver and power off devices that could be causing interference.
The pointer moves erratically and/or is unresponsive.	The device may not be within operating range. Low battery. There is dust or oil on touchpad.	Move the unit closer to the receiver. Charge the device. Clean the touchpad with a damp cloth.
Wireless keyboard will not charge.	Defective battery. Loose connections.	Contact the place of purchase for a replacement. Verify the cable is securely connected on both ends.
The Showcase does not power up after pressing the power button.	The device may be either initializing or in a state of powering down.	Wait 10 seconds and press the power button again, or if that does not work, switch off the device, wait 10 seconds, switch the power back on and press the power button again.

## 17. Supported Video File Formats

Extended Filename	Container	Video Codec	Specification	Bit Rate	File
dat mpg mpeg	MPG, MPEG	MPEG1, 2	1080p @ 30fps	40Mbps	Main Profile
vob	MPEG2-PS	MPEG2			MPEG2: MP @ HL
rm rmvb	RMVB, RM	rv30, rv40			RV8, RV9, RV10
WebM	WebM	VP8		20Mbps	
ts trp tp m2ts	TS	MPEG2, H.264, VC1, AVS, MVC	H264: 1080Px2 @ 25fps / 1080P @ 50fps MVC: 1080P @ 25fps Others: 1080P @ 30fps	H.264: 50Mbps MVC: 50 Mbps Other: 40Mbps	H264: Main Profile and High Profile @ Level 4.1  MPEG2: MP @ HL AVS: Jizhum Profile @ Level 6.0
mp4 mov	MP4	MPEG1, 2, 4, DivX 3.11, DivX 4.12, DivX 5.x, DivX 6, XviD, H.264 VC1, Motion JPEG	H.264: 1080Px2 @ 25fps/1080P @ 50fps Motion JPEG: 640x480 @ 30fps VP8 (Only for mkv.): 1080P @ 30fps Others: 1080P @ 30fps	H.264: 50Mbps Motion JPEG: 10Mbps VP8 (only for mkv): 20Mbps Others: 40Mbps	H264: Main Profile and High Profile @ Level 4.1 MPEG2: MP @ HL MPEG4: Simple Profile and Advanced Simple Profile @ Level 5 VC1: Advanced Profile @ Level 3 Simple Profile and Main Profile
divx avi	AVI	MPEG1, 2, 4, DivX 3.11, DivX 4.12, DivX 5.x, DivX 6, XviD, H.264, VC1, WMV3, Sorenson H.263, Motion JPEG			
mkv	MKV	MPEG1, 2, 4, DivX 3.11, DivX 4.12, DivX 5.x, DivX 6, XviD, H.264, VC1, WMV3, Motion JPEG, VP8			
asf wmv	ASF	MPEG2, 4, DivX 3.11, DivX 4.12, DivX 5.X, DivX 6, XviD, H.264, VC1, WMV3	H.264: 1080Px2 @ 25fps / 1080P @ 50fps Other: 1080P @ 30fps	H.264: 50Mbps Other: 40Mbps	
flv	FLV	H.264, Sorenson H.263			H264: Main Profile and High Profile @ Level 4.1

## 18. Limited Equipment Warranty

Holografyx Canada guarantees its products against any manufacturing defects under certain terms and conditions outlined in this warranty section. Please read the following terms and conditions before making a warranty claim.

### 18.1 Overview of warranty

Holografyx Canada offers a standard one year warranty in which it assumes responsibility for any defective parts or product. The warranty period is considered effective from the date the product was purchased until the length of the warranty term. This warranty is only valid for products purchase from authorized Holografyx distributors.

### 18.2 Warranty Exclusions

- The warranty will not be valid and Holografyx won't assume any responsibility if;
- The products are not purchased by a Holografyx authorized partner or reseller.
- The products have been altered, modified or replaced by any other party that is not an authorized Holografyx representative.
- The equipment has been damaged by inappropriate use, negligence, abuse, accidents, natural disasters, wars, relocation of the equipment or any other cause that is not of regular use.
- Products are accidentally or deliberately damaged due to cleaning not in accordance with the specified cleaning maintenance instructions listed in the user's manual.
- The product has not been used in accordance with the guidelines explained in the user's manual for proper functioning of the equipment.

### 18.3 Return for repair or advanced replacement

Subject to the provisions stated previously, Holografyx assumes responsibility in repairing the defective components or if considered necessary the replacement of the equipment at no cost for the customer other than the costs of transportation to a Holografyx facility. Warranty does not cover damages occurred during the transportation of the equipment.

On determining whether a product is defective the customer assumes full responsibility for contacting Holografyx, who will first complete a diagnosis over the phone or via email. If considered necessary and the problem cannot be solved online, Holografyx may advise the customer to package and return the defective product at the customer's expense.



**Holografyx Canada Inc.**  
19 - 831 Devonshire Road  
Victoria, BC  
V9A 4T5

**USA and Canada, Toll free:**  
+1 (855) 751-6488  
**International:**  
+1 (778) 977-5550

**E-mail:**  
[sales@holografyx.com](mailto:sales@holografyx.com)